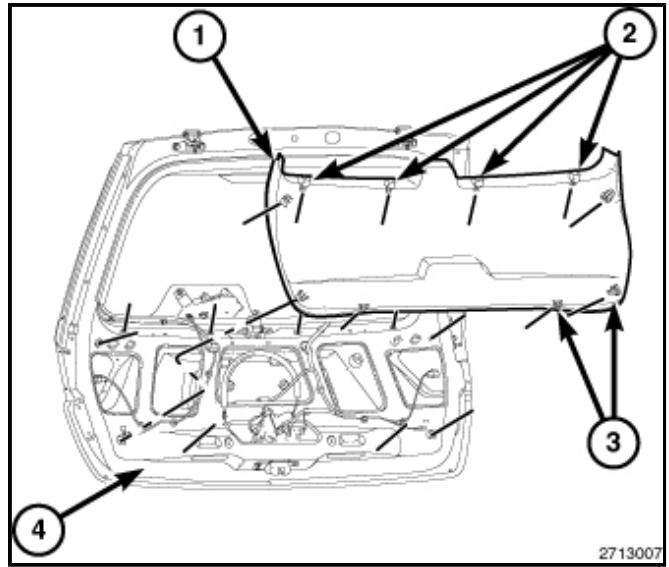


Removal - Liftgate trim panel

1. Disconnect and isolate the battery negative cable.
2. Using a trim stick or another suitable wide flat-bladed tool, release the six lower retaining clips (3) and carefully pry the trim panel (1) away from the inside of the liftgate (4).
3. Carefully release the upper retaining clips (2) and separate the trim panel completely from the liftgate.
4. Disconnect the trim panel lighting connectors.
5. Remove the liftgate lower trim panel from the vehicle.



6. Remove flip glass weather strip.
7. Remove the upper trim panel (2) using a trim stick or another suitable wide flat-bladed tool, carefully pry the trim panel away from the inside of the liftgate (1) to release the fasteners that secure the panel to the liftgate.

